

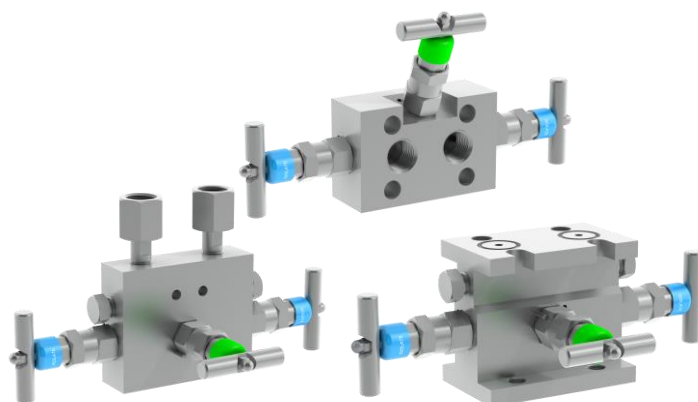
# Three valve manifold series direct and remote mount

## Design description

Badotherm three valve manifolds can be used for isolation, calibration and testing of differential pressure instruments. The manifolds can be directly mounted to the pressure instrument, or remotely mounted with pressure tubing. Depending on the type, the 3 valve manifold can be supplied with or without a purge connection. All Badotherm manifolds are standard stainless steel and optional available in exotic materials, such as Alloy C276 and Alloy 400. This manifold has a non-rotatable conical tip to ensure perfect alignment. Badotherm manifolds are manufactured within the European Union.

## Valve assembly

The valves spindle assembly is build up from various parts. All non-wetted parts are made from AISI316(L). All wetted parts are matching the body material. The bonnet is locked with a locking pin to the main valve body. The spindle has a safety back seat that prevents that the spindle can be removed accidentally.



## Materials of Construction

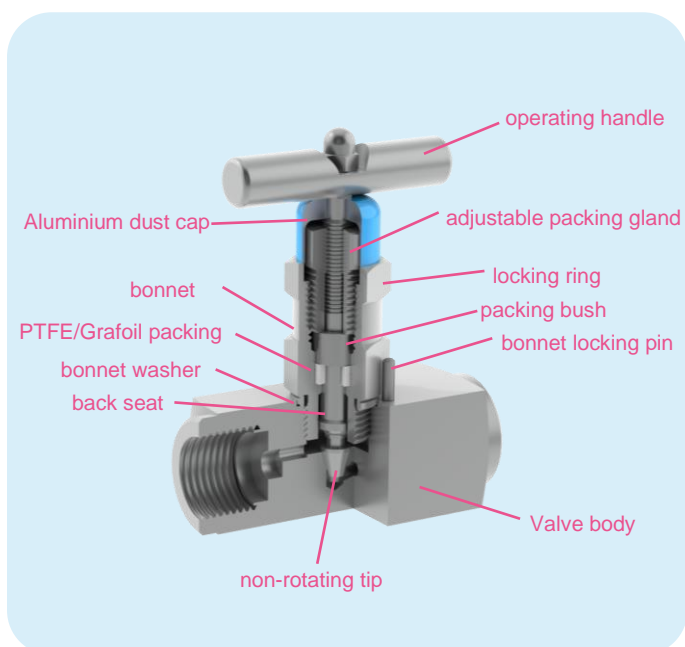
Component	Material
Handle bar	AISI 316(L)
Handle locking nut	A2-70
Dust cap	Aluminium
Gland locking nut	AISI 316(L)
Gland	AISI 316(L)
Compression ring	AISI 316(L)
Packing set	PTFE or Graphite
Locking pin	AISI 316(L)
Lubricant	Silvermark / Krytox 8908 (oxygen service)
Purge plug ◀	Wetted parts (See selection table)
Bonnet body ◀	
Manifold body ◀	
Main gasket ◀	
Spindle ◀	
Spindle tip ◀	

◀ are wetted parts

Other materials then mentioned in the selection table are possible. Contact Badotherm for more information and possibilities

## Bonnet packing

The valve bonnet contains the main packing set. This packing set is PTFE or Graphite material. PTFE Packing set can be used from -40 °C up to 260°C where the Graphite can be used between -40°C up to 538°C. Packing adjustment may be required during the service life of valves.



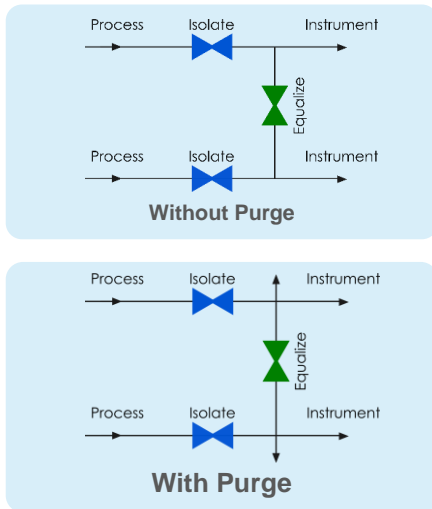
## Operating handle bar

The operating handle is big enough to operate the manifold under pressure. Optionally the anti-tamper construction is available. Valves that have been cycled for a period of time may have a higher initial actuation torque.

# Three valve series

## Flow

The flow direction is marked on the body. The flow symbol on the product is:



## Color coding

The spindle of the valve is color coded. The isolation valves are colored with a blue anodized aluminum dust cap marked "ISOLATION". The equalizing valve is colored with a green anodized aluminum dust cap marked "EQUALIZING".

## Purge ports

The three valve manifold can be selected with a 1/4" NPT purge port. The purge port is standard blocked with a vent plug in same material as the wetted parts. The purge ports can be used for external draining or the connection of an external pressure source for testing and calibration of the pressure instrument. The purge port is not blocked by a valve and thus can contain pressure. After the isolate valves are blocked.

## Cleaning

The manifolds are all dried and cleaned after testing. For special service such as oxygen service the manifolds are assembled, tested and packed in a special area. The packing of the manifold is in a double plastic sealed bag with a clear label and individual box. This option is only possible in combination with a PTFE packing in the bonnet.

## Marking

The marking on the manifolds is containing all relevant information needed for determining the function and material as mentioned in the MSS SP-25. The marking on the body contains the manufacturer, model, threads, traceability information, material designation, operating pressure, functional diagram and flow direction.

## Pressure test

All manifolds are tested in the factory according the EN12266-1 (P10, P11, P12) and MSS SP-61. This means that the manifolds have undergone a shell test at  $\geq 1.5x$  the MWP and a seat test at  $\geq 1.1x$  the MWP, both at  $\pm 20^\circ\text{C}$ . More information on test media and process can be found in the general datasheet "pressure testing"

## Certification & Declaration of Conformity

A 3.1 Inspection certificate according the EN 10204 is available on the body material.

A 2.1 conformity certificate according EN 10204 can be supplied a conformation for the pressure test.

Additional certification and testing can be provided on request, such as Positive Material Identification (PMI), NACE compliance certificate and many more.

## Standards used

### Design Standards

Standard	Description
ASME B16.34	valves - flanged, threaded and welding end
ASME B31.1	power piping
ASME B31.3	process piping
ASME B1.20.1	pipe threads, general purpose
MSS SP-99	valves for measuring instruments
IEC 61518	Mating dimensions between differential pressure (type) measuring instruments

### Test Standards

Standard	Description
EN12266-1	pressure tests, test procedures and acceptance criteria for industrial valves
MSS SP-61	pressure testing of valves
ISO 5208	pressure testing of metallic valves with leakage rate A

### Marking Standards

Standard	Description
MSS SP-25	Marking on valves

### Material Standards

Standard	Description
NACE MR0175/MR0103 ISO 15156	use in H <sub>2</sub> S-containing environments in oil and gas production
NORSOK M-630	specification for use in pipelines
ASTM standards	Material specific standards

### Certification Standards

Standard	Description
EN 10204	Inspection documents

# Three valve series

## Pressure – Temperature limits

The manifolds are limited by pressure and temperature based on the materials used and the packing set materials.

### Standard execution

Packing material	Pressure vs temperature	
PTFE (High Pressure)	690 bar at 38 °C	10.000 psi at 100 °F
PTFE	420 bar at 38 °C	3000 psi at 100 °F
	276 bar at 204 °C	4000 psi at 400 °F
Graphite	420 bar at 38 °C	6000 psi at 100 °F
	209 bar at 538 °C	3000 psi at 1000 °F

### ASME B31.1 execution

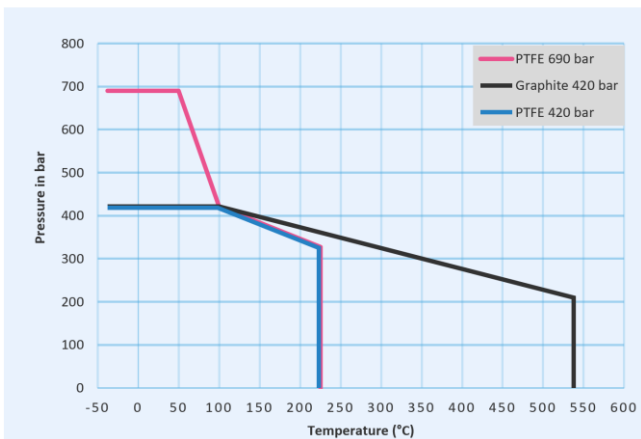
Body material	Pressure vs temperature	
AISI 316/316L	420 bar at 38 °C	6100 psi at 100 °F
	209 bar at 538 °C	3000 psi at 1000 °F
Alloy 400	345 bar at 38 °C	5000 psi at 100 °F
	173 bar at 475 °C	2500 psi at 885 °F
Alloy 276	430 bar at 38 °C	6100 psi at 100 °F
	237 bar at 425 °C	3500 psi at 800 °F

Note: Pressure rating based on cl 2500 ASME B16.34

### Cleaned for oxygen purpose execution

Packing material	Pressure vs temperature	
PTFE	420 at 60 °C	6000 psi at 140 °F
	90 bar at 200 °C	1305 psi at 392 °F

Low temperature limits are -40 °C for both PTFE as graphite gasket

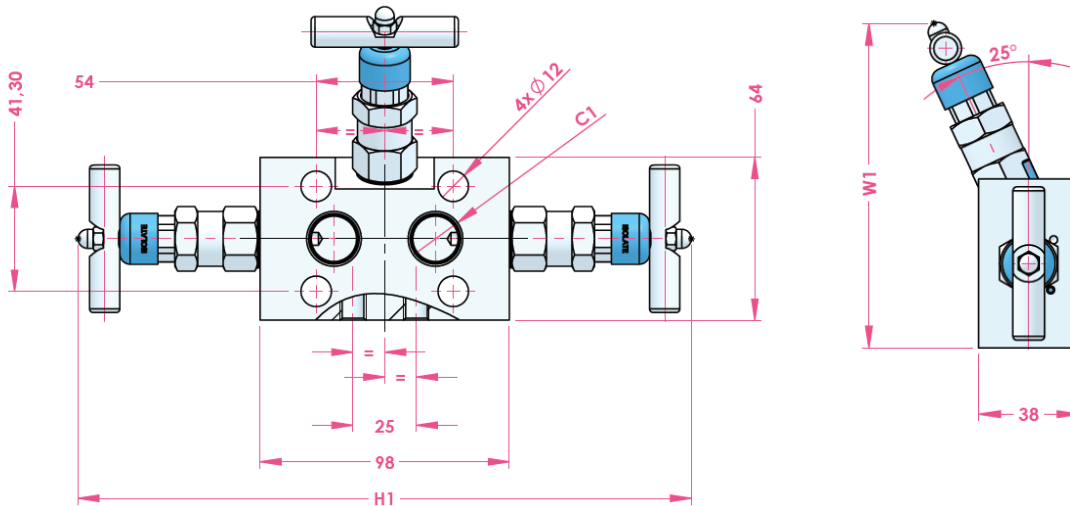


# Three valve series

## Direct mount series

### 1/2" NPT female threaded x flanged IEC 61518-B

Specifically designed to fit DP pressure transmitters (Compact design)  
Model Type 931

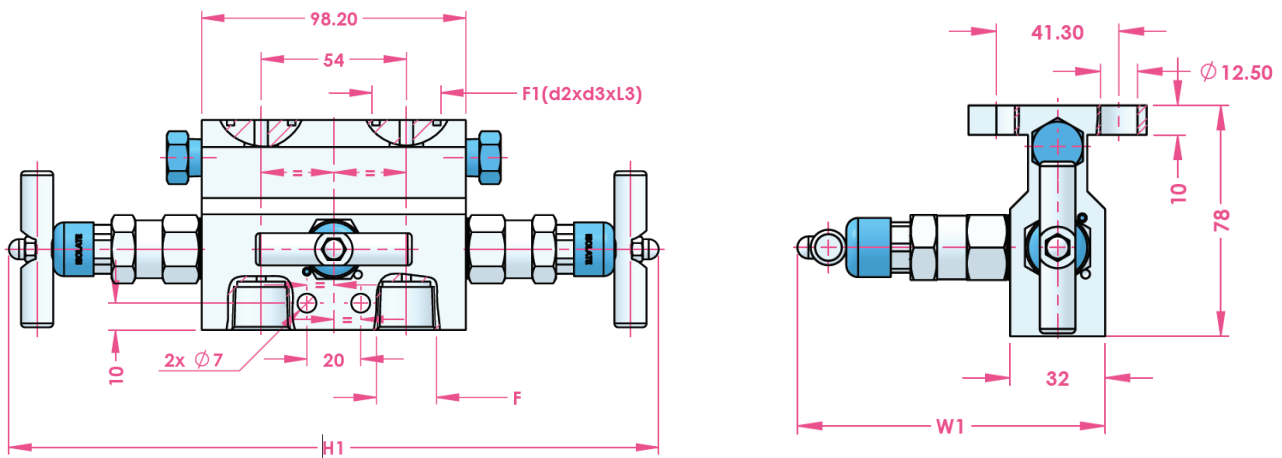


C1 (process)	H1 (open)	W1 (open)
1/2" NPT female	240.0	118.0

All dimensions in mm

### 1/2" NPT female threaded x flanged IEC 61518-B

Specifically designed to fit DP pressure transmitters (traditional design)  
Model Type 936



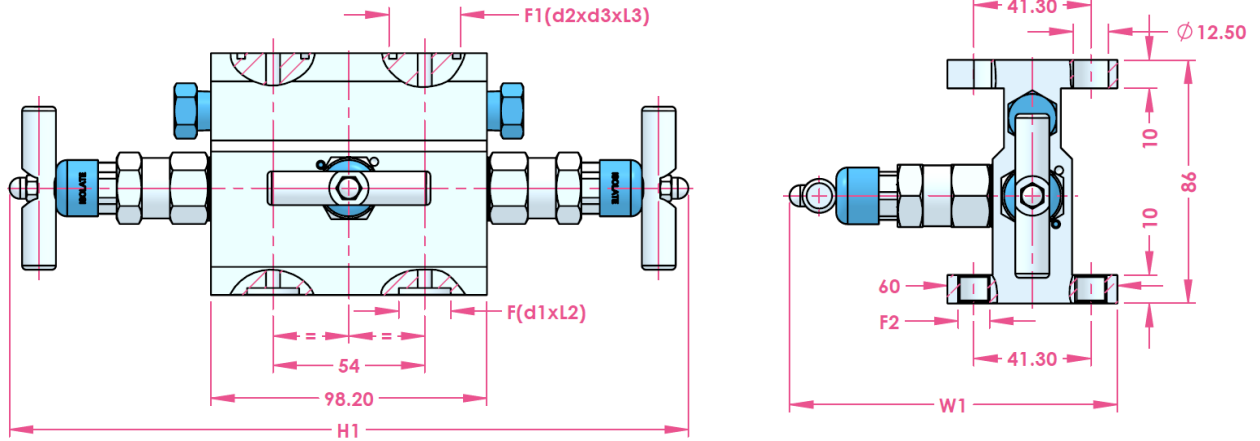
C1 (process)	H1 (open)	W1 (open)
1/2" NPT female	240.0	104.0

All dimensions in mm

# Three valve series

## flanged IEC 61518 x flanged IEC 61518-B

Specifically designed to fit DP pressure transmitter  
Model Type 933

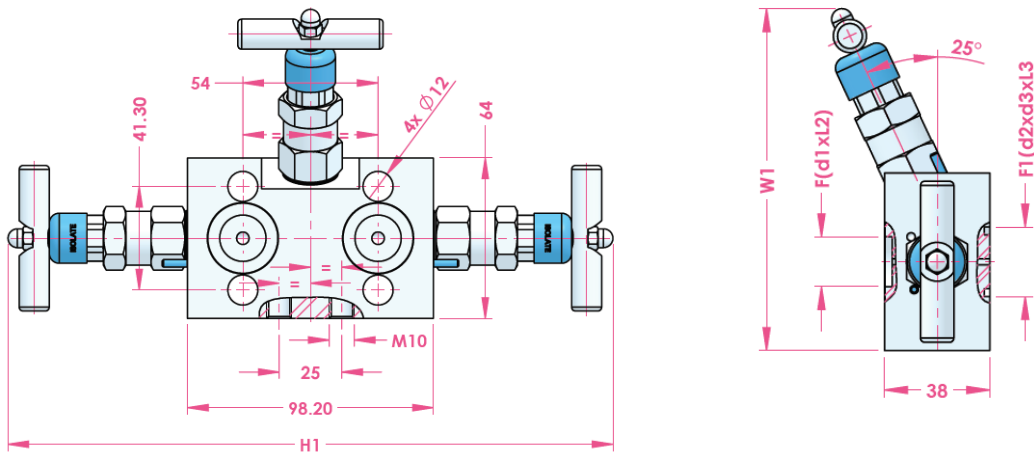


F process connection	d1xL2	L2	F1 Instrument connection	d2	d3	L3	F2	H1	W1
flanged - IEC 61518	Ø18,5	2.5	flanged - IEC 61518-B	Ø25,5	Ø19,9	2.0	7/16" UNF	240	115

All dimensions in mm

## flanged IEC 61518 x flanged IEC 61518-B

Specifically designed to fit DP pressure transmitter  
Model Type 938



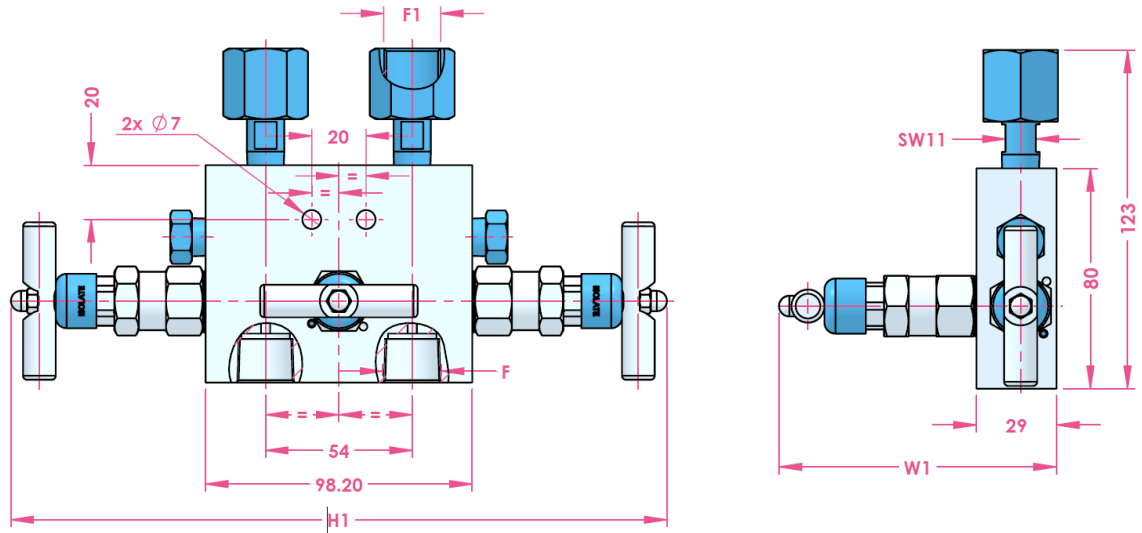
F process connection	d1xL2	L2	F1 Instrument connection	d2	d3	L3	F2	H1	W1
flanged - IEC 61518	Ø18,5	2.5	flanged - IEC 61518-B	Ø25,5	Ø19,9	2.0	7/16" UNF	240	115

All dimensions in mm

# Three valve series

## 1/2" NPT female threaded x G 1/2" female threaded

Specifically designed to fit DP pressure gauges BDT13  
Model Type 932



F (Process)	F1 (instrument)	H1 max	H2	W1 max
1/2"NPT-f	G 1/2" rotating nut	240.0	54.0	101.0

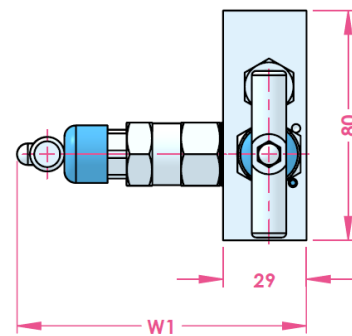
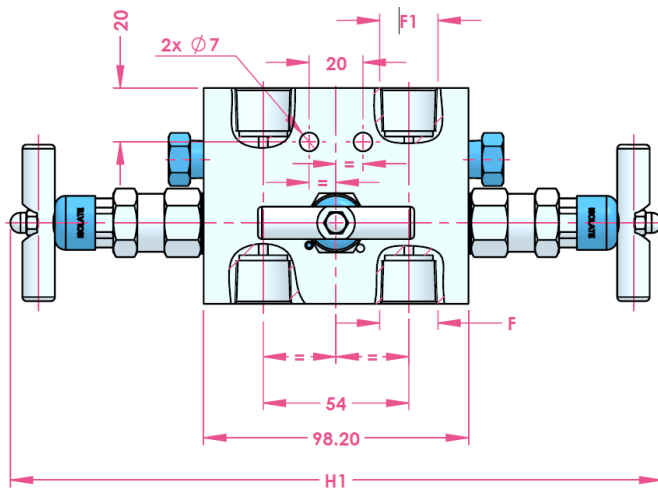
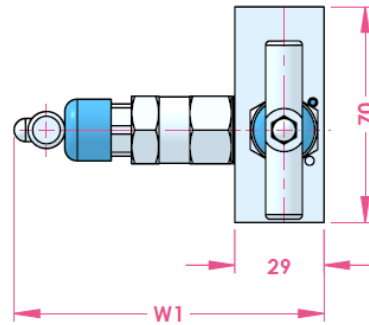
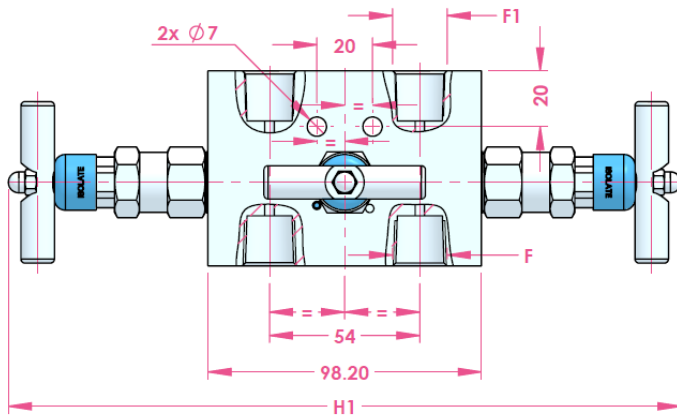
All dimensions in mm

# Three valve series

## Remote mount series

½" NPT female threaded x ½" NPT female threaded

Without purge port: Type 934



F (process)	F1 (Instrument)	H1 (open)	W1 (open)
½" NPT female		240.0	101.0

All dimensions in mm

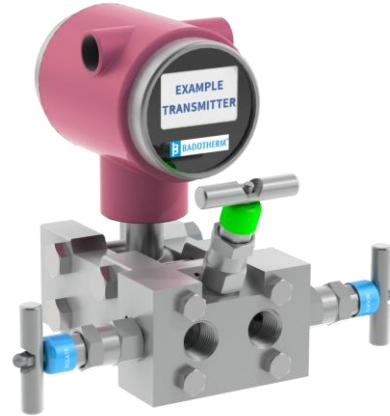
# Three valve series

## Mounting kit options

Typical assembly of the manifolds are with differential pressure instruments both electronic as a mechanical dial gauge like the BDT13. Especially the manifolds mounted directly to electronic pressure instruments using the IEC 61518 connection needs some specific parts for mounting like gaskets and bolts.

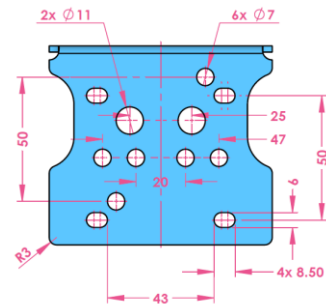
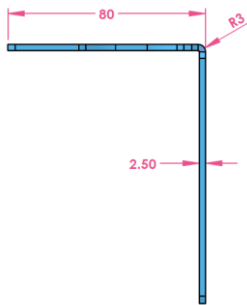
## Bracket sets

Most manifold and valves have the possibility to be mounted to a bracket in order to fix it to a 2" pipe when required. The brackets are supplied with U-bolts, washers, hexagon nuts, and screws and washers to mount the valve to the bracket. The size and quantity are depending on the type of bracket.



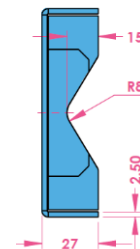
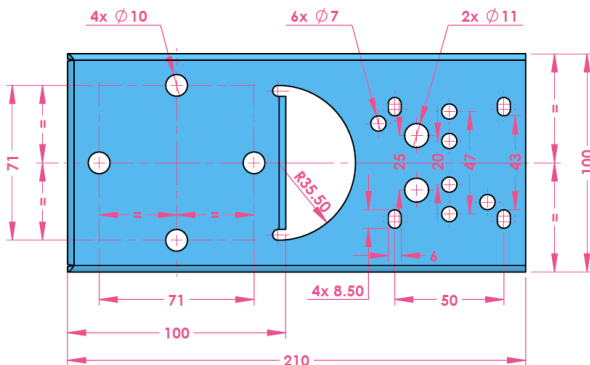
## 90° bracket

For all models except BDTM958



## Straight bracket

For all models except BDTM958





# Three valve series

## Product code 3 valve manifold

	Code					
Example code:	<b>BDT</b>	<b>1</b>	<b>C</b>	<b>S316</b>	<b>P</b>	
<b>Process x instrument connection</b>						
½" NPT female threaded x flanged IEC 61518-B (compact design)	M931					
½" NPT female threaded x flanged IEC 61518-B (traditional design)	M936					
½" NPT female threaded x G ½" female threaded	M932					
flanged IEC 61518 x flanged IEC 61518-B (traditional design)	M933					
flanged IEC 61518 x flanged IEC 61518-B (compact design)	M938					
½" NPT female threaded x ½" NPT female threaded	M934					
<b>Purge/Test port</b>						
Without ◀	C					
With ¼" NPT plugged connection	P					
<b>Material</b>						
AISI 316(L) ◀	S316					
Alloy C276	A276					
AISI 321	S321					
Alloy 400	A400					
Alloy 625	A625					
Alloy 825	A825					
254 SMO	S254					
Duplex 2205	2205					
Super Duplex 2507	2507					
Titanium Grade 2	TI02					
<b>Packing set</b>						
PTFE ◀	P					
Grafoil	G					

**Table 1: General options**

Option (start options with X_)	code
Valve high pressure 689 bar (10,000 psi)	_HPV
Cleaned for Oxygen use *1	_CFO
NACE ISO 15156 (MR 01 75) *2	_N75
ASME B31.1 for power piping (Grafoil gasket only)	_AB31
3.1 material certificate	_IC31
2.1 Pressure leak test certificate standard pressure	_LTPS
2.2 Positive Material Identification	_PMI
Anti-Tamper bonnet	_ATB
Bracket set*3	_BRS

\*1: Only in combination with PTFE gasket (Code P)  
 \*2: Except Titanium grade 2 (see NACE explanation)  
 \*3: Bracket set not required for model type 933

**Table 2: Mounting options**

Option (start options with X_)	Manifold type	code
Hex cap screw set 7/16-20 UNF, bolt length 7/8" Carbon Steel, Graphite seal ring	933   936	_MCS78G
Hex cap screw set 7/16-20 UNF, bolt length 7/8" Carbon Steel, PTFE seal ring		_MCS78P
Hex cap screw set 7/16-20 UNF, bolt length 7/8" 316 ASTM A193 B8M cl 2, Graphite seal ring		_MSS78G
Hex cap screw set 7/16-20 UNF, bolt length 7/8" 316 ASTM A193 B8M cl 2, PTFE seal ring		_MSS78P
Hex cap screw set 7/16-20 UNF, bolt length 2" Carbon Steel, Graphite seal ring	931   938	_MCS20G
Hex cap screw set 7/16-20 UNF, bolt length 2" Carbon Steel, PTFE seal ring		_MCS20P
Hex cap screw set 7/16-20 UNF, bolt length 2" 316 ASTM A193 B8M cl 2, Graphite seal ring		_MSS20G
Hex cap screw set 7/16-20 UNF, bolt length 2" 316 ASTM A193 B8M cl 2, PTFE seal ring		_MSS20P

Note: A set contains 2 screws, 2 gaskets, and a bag of anti-seizure paste .

## Change log

Date	Change

Holland – Romania – India – Thailand – Dubai – USA

To our knowledge, the information contained herein is accurate as of the date of this document. However neither Badotherm, nor its affiliates makes any warranty, express or limited, or accepts any liability in connection with this information or its use. This information is for technical skilled persons at their own discretion and risk and does not relate to the use of this product in combination with any other product. The user alone finally determines suitability of any information or material in contemplated use, the manner of use and whether any patents are infringed. This information gives typical properties only. Badotherm reserves the right to make changes to the specifications any materials without prior notice. The latest version of the datasheet can be found on [www.badotherm.com](http://www.badotherm.com).

© 2015 Badotherm, all rights reserved. Trademarks and/or other products referenced herein are either trademarks or registered trademarks of Badotherm.