

Accessories – HDS – Heavy duty support tube

Description

A Heavy-duty support tube is a good example how Badotherm transfers the durability demand of the end-user into a multipurpose solution. As most tubes in the market are to lift and hold the flange has the HDS solution more features. Next to the handle function the capillary is fixed on a higher level of the capillary that ensures the stress is not on the welded part. As a third the unique sealing construction between tube and capillary makes the tube class IP67. This means the welded part of the capillary is not filled with water as with the standard capillary nipple. Especially in sour environments it reduces the corrosion on the welded part.

Material of construction

The HDS construction is manufactured from AISI 316(L) material. Welding to the flange is done with filler material with a sufficient throat thickness so no fluids will be collecting on the weld. The tube is ½" Schedule 40.

Parts	Material
Tube	AISI 316(L)
Capillary sealing nipple	
Armor crimp nipple	

Key benefits

The advantages listed:

- Capillary weld sealed from (sour) environment (**IP67**)
- Robust capillary connection to prevent damage to capillary due to mechanical forces
- Handle to lift the diaphragm seal
- All parts inside insulation layer are sealed, part sticking out has reduced temperature (300°C back to 35°C)

Background

the IP68 heavy duty support tube is a further development of the IP54 heavy duty support. With standard or the IP54 heavy duty support capillary nipple, there remain an open connection between the support and the capillary that is welded to the flange. In a sour or corrosive environment, rain can drip into this tube and there this corrosive water can come in touch with the capillary weld to the flange. On some occasion this can result in long term in a leakage of the seal system. Therefore, in close collaboration with several of our end users in the petrochemical industry, we have developed a capillary nipple that is fully air and dust tight, so the weld cannot be corroded and thus removed a potential leak point.



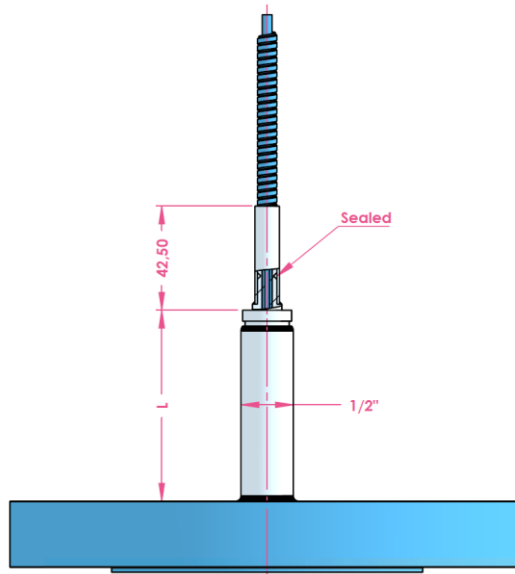
Size & mounting

The IP68 HDS tube comes in 2 standard length. The standard length is 80mm. there is also a height of 150mm. this is often selected when the flanged is insulated, which is mostly done in case of higher temperatures. The higher length ensures that the insulation can be easily done whilst having access to the flexibly capillary for mounting.

Further, it is a robust construction. It allows also for easier (and thus safer) handling. You can lift the seal by this tube, which is significantly better than lifting by the capillary itself.

This option is also available with radial (side connection). Depending the mounting style, here you may have less influence of rain dripping in, but still it is a robust construction.

In combination with the sleeve options the complete capillary can be sealed of from outside influences, even in ATEX environments in combination with the ATEX sleeve.



Tube size L	Overall length before bending
80.0	122.5
150.0	192.5

ACC 7007 – 23rd of October 2020

Change log

Date	Change

Holland – Romania – India – Thailand – Dubai – USA

To our knowledge, the information contained herein is accurate as of the date of this document. However neither Badotherm, nor its affiliates makes any warranty, express or limited, or accepts any liability in connection with this information or its use. This information is for technical skilled persons at their own discretion and risk and does not relate to the use of this product in combination with any other product. The user alone finally determines suitability of any information or material in contemplated use, the manner of use and whether any patents are infringed. This information gives typical properties only. Badotherm reserves the right to make changes to the specifications any materials without prior notice. The latest version of the datasheet can be found on www.badotherm.com.

© 2015 Badotherm, all rights reserved. Trademarks and/or other products referenced herein are either trademarks or registered trademarks of Badotherm.