

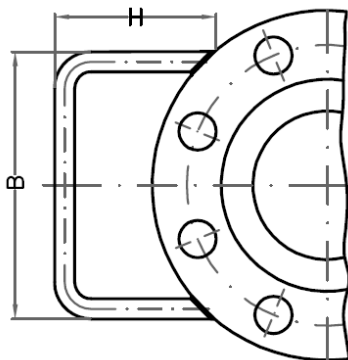
SUPPORT HANDLES

The Support Handles are available for 2" and 3" Diaphragm Seals and flush flanges to assist in easy handling during installation.

STANDARD EXECUTION

size	diameter	body	B	H	Recommended use	Included
2"	12 mm	AISI 316(L)	124	95	cl. 900 and above	cl. 2500
3"	12 mm	AISI 316(L)	160	95	cl. 400 and above	cl. 2500

DRAWING



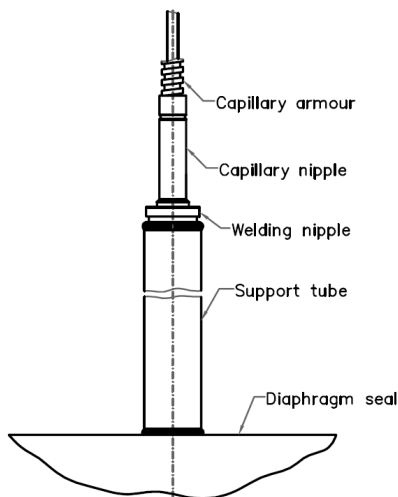
HEAVY DUTY SUPPORT TUBE

The Heavy Duty Support Tube is robust and strong version of the standard capillary connection to the Diaphragm Seal and reduces the chance of mechanical damage on capillary connection. It also prevents chloride stress corrosion on the capillary weld (IP68 execution) and reduces the temperature on capillary in order to prevent burning of personnel.

STANDARD EXECUTION

IP CLASS	BODY	LENGTH	DIAMETER	MOUNTING	SOLUTION
IP54 / IP68	AISI 316(L)	80 mm < 200°C 150 mm > 200°C	1/2" - 40S	Capillary	page 123

DRAWING



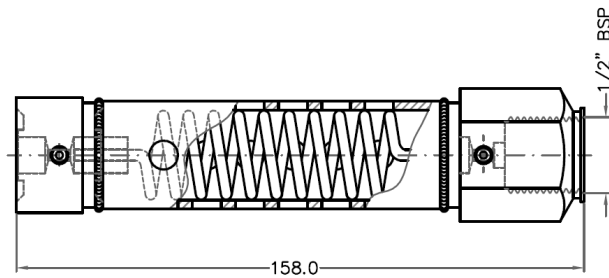
TR – TEMPERATURE REDUCER

The Temperature Reducer is used to protect the instrument from high process temperatures and is used in combination with direct mounted Diaphragm Seals.

STANDARD EXECUTION

BODY	LENGTH	MOUNTING	TEMPERATURE REDUCTION
AISI 316(L)	158mm	Direct	approx. 250°C

DRAWING



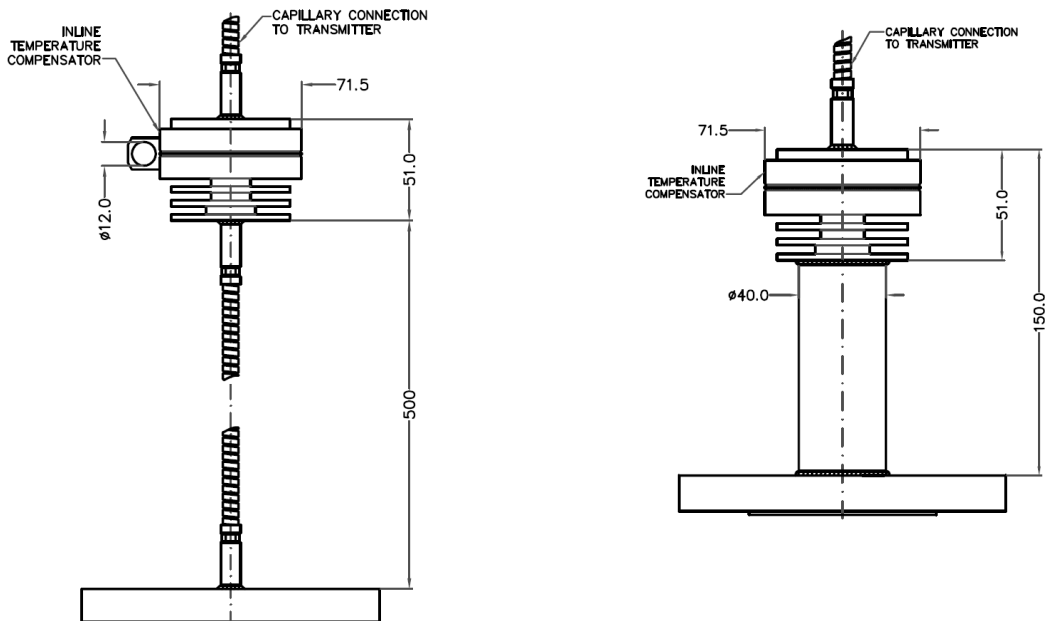
TC – TEMPERATURE COMPENSATOR

The Temperature Compensator is used to lower the response time in combination with long capillaries and high or low temperatures. It uses a specially designed secondary diaphragm and two different fill fluids to meet high temperature specifications, and keep acceptable response times.

STANDARD EXECUTION

BODY	MOUNTING	TEMPERATURE REDUCTION	FILL FLUIDS	SOLUTION
AISI 316(L)	direct/capillary	approx. 250°C	BSO-21 / BSO-36	page 114

DRAWING



CAPILLARY

The Capillary is used to remotely mount the pressure instrument to the Diaphragm Seal. The inside diameter of the capillary has a close relation with the temperature influence and the response time of the Diaphragm Seal System.

STANDARD EXECUTION

inside diameter	outside diameter	tube	armour	MWP
1 mm	3 mm	AISI 316(L)	AISI 304	1100 bar
2 mm	4 mm	AISI 316(L)	AISI 304	850 bar

OPTIONS

- PVC protective sleeve – black
- PVC protective sleeve – white
- ATEX – protective sleeve



Holland – United Kingdom – Romania – India – Thailand – Dubai – USA

To our knowledge, the information contained herein is accurate as of the date of this document. However neither Badotherm, nor its affiliates makes any warranty, express or limited, or accepts any liability in connection with this information or its use. This information is for technical skilled persons at their own discretion and risk and does not relate to the use of this product in combination with any other product. The user alone finally determines suitability of any information or material in contemplated use, the manner of use and whether any patents are infringed. This information gives typical properties only.

Badotherm reserves the right to make changes to the specifications and materials without prior notice. The latest version of the datasheet can be found on www.badotherm.com.

© 2001 Badotherm, all rights reserved. Trademarks and/or other products referenced herein are either trademarks or registered trademarks of Badotherm.