

SJ is typically used in combination with pressure transmitters for pressure measurement, in those applications where the diaphragm need to be flush with the pipe wall. This can be obtained by either mounting the SJ seal part in a saddle type that is welded on top of the piping or in a flow through block that can be welded into the piping or mounted by means of flanges. Typical applications are pressure and flow measurements of highly viscous media.


STANDARD EXECUTION

DIAPHRAGM	BODY	MOUNTING CONNECTION	GASKET
AISI 316(L)	AISI 316(L)	top (axial)	PTFE

PROCESS CONNECTIONS
SADDLE TYPE, WELDED

size	rating	dD
2,5"- 24"	cl. 300	51mm
DN65-600	PN10-40	51mm

FLOW THROUGH BLOCK, BUTT OR SOCKET WELD

size	rating	dD
3/8"- 2"	cl. 300	51mm
DN15-50	PN10-40	51mm

UPPER AND LOWER PART ASSEMBLY
BOLTING

thread	material	mwp	pcs	rating (ASME)	rating (EN)
M8	A2-70	40 bar	8	cl. 300	PN40

Note: mwp (maximum working pressure) at 20 °C with AISI 316(L) body material

GASKET

material	
Virgin PTFE	-200 / +260°C
Garfite N	-73 / +343°C

WETTED PARTS AND BODY MATERIAL

diaphragm mat.	body material	saddle / block material
AISI 316(L)	AISI 316(L)	AISI 316(L)
AISI 304(L)		
AISI 321		
Hastelloy C-276		
Hastelloy C-276	AISI 316(L)	Hastelloy C-276
Monel 400	AISI 316(L)	Monel 400
Tantalum	AISI 316(L)	AISI 316(L)
Nickel 201	AISI 316(L)	Nickel 201
Duplex 2205	AISI 316(L)	Duplex
Inconel 600	AISI 316(L)	Inconel 600
Titanium Gr.1	Titanium Gr.2	Titanium Gr.2

COATING AND OTHER OPTIONS
COATINGS

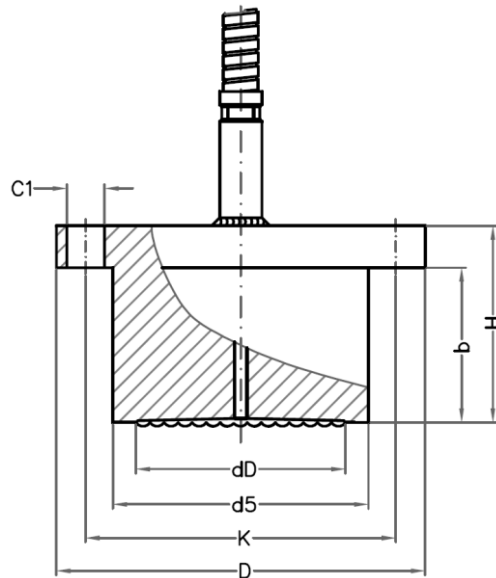
- gold: 25 µm / 40 µm chemical resistance and/or hydrogen permeation protection (facing and/or diaphragm – page 120)
- PTFE / ECTFE for anti stick purpose only (upper part)
- FEP / PFE (upper part)

OTHER OPTIONS

- heavy duty capillary tube
- TR - temperature reducer

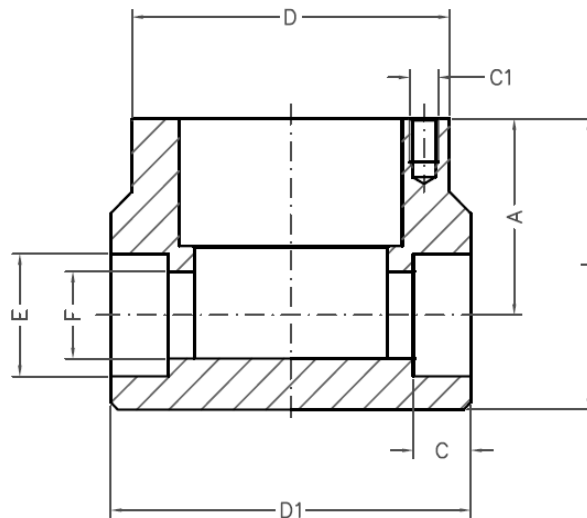
page 113/123

page 114

DRAWING AND DIMENSIONS STANDARD EXECUTIONS
UPPER PART (SJ)


size	rating	D	dD	d5	K	b	H	C1
std	PN 40	88	50	61	74	37	47	8x9mm

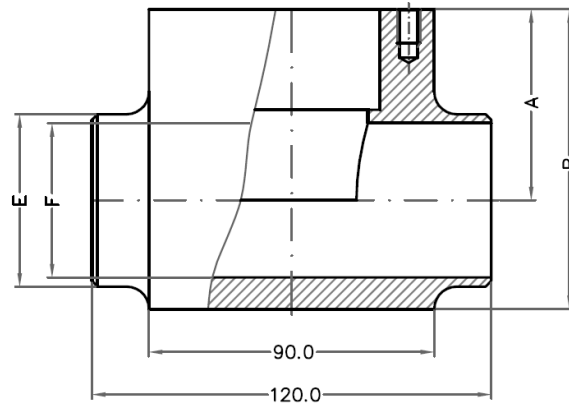
All dimensions in mm

SOCKET WELD (SJ-IS)


Size	D	D1	d3	E	F	C	A	I	C1	PCD
0,5" (DN15)	88	95	62	22	16	13	48	65	M8/8x	74
0,75" (DN20)	88	95	62	27	21	13	50	70	M8/8x	74
1" (DN25)	88	100	62	34	27	16	54	80	M8/8x	74
1,5" (DN40)	88	100	62	49	41	18	61	95	M8/8x	74
2" (DN50)	88	100	62	61	53	21	67	105	M8/8x	74

All dimensions in mm

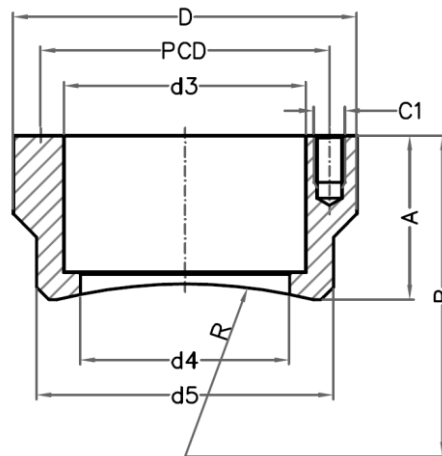
BUTT WELD (SJ-IB)



size	E	F ¹ (S10)	F (S40)	A	B	C1
0,5" (DN15)	21	17	16	48	69	M8/8x
0,75" (DN20)	27	22	21	50	74	M8/8x
1" (DN25)	33	28	27	54	81	M8/8x
1,5" (DN40)	48	43	41	61	95	M8/8x
2" (DN50)	60	57	55	67	107	M8/8x

¹ dimensions for EN - piping
All dimensions in mm

SADDLE (SJ-S)



size	A	B	d3	d4	d5	R	C1	PCD
2" DN50	50	38	62	38	64	31	M8/8x	74
2,5" DN65	50	77	62	54	76	37	M8/8x	74
3" DN80	50	83	62	54	76	45	M8/8x	74
4" DN100	47	95	62	54	76	57	M8/8x	74
5" DN125	46	109	62	54	76	71	M8/8x	74
6" DN150	44	122	62	54	76	84	M8/8x	74
8" DN200	43	148	62	54	76	110	M8/8x	74
10" DN250	42	175	62	54	76	137	M8/8x	74
12" DN300	41	200	62	54	76	162	M8/8x	74
14" DN350	41	216	62	54	76	178	M8/8x	74
16" DN400	41	241	62	54	76	203	M8/8x	74
18" DN450	41	267	62	54	76	229	M8/8x	74
20" DN500	40	292	62	54	76	254	M8/8x	74
22" DN550	40	317	62	54	76	279	M8/8x	74
24" DN600	40	343	62	54	76	305	M8/8x	74

All dimensions in mm



Holland – United Kingdom – Romania – India – Thailand – Dubai – USA

To our knowledge, the information contained herein is accurate as of the date of this document. However neither Badotherm, nor its affiliates makes any warranty, express or limited, or accepts any liability in connection with this information or its use. This information is for technical skilled persons at their own discretion and risk and does not relate to the use of this product in combination with any other product. The user alone finally determines suitability of any information or material in contemplated use, the manner of use and whether any patents are infringed. This information gives typical properties only.

Badotherm reserves the right to make changes to the specifications and materials without prior notice. The latest version of the datasheet can be found on www.badotherm.com.

© 2001 Badotherm, all rights reserved. Trademarks and/or other products referenced herein are either trademarks or registered trademarks of Badotherm.