

Badotherm Hub seal is a special design based on high pressure clamp so called hub connectors such as Destec® or Galperti®. These type of connectors are designed for high pressure applications (>400 bar) where standard flanges cannot be used or only with extreme heavy weight, since another advantage of the Hub connector is the relative small design with a far lower load on the process installation. BHS seals can be used for either pressure measurement or differential pressure measurement (level, flow) where high static pressure occurs. The BHS can be produced with an internal diaphragm (smaller hub sizes) or a flush diaphragm (larger hub sizes), this depends on the specific application.



STANDARD EXECUTION

DIAPHRAGM	BODY	MOUNTING CONNECTION
AISI 316(L)	AISI 316(L)	top (axial)

FLANGED PROCESS CONNECTIONS

DESTEC®

size	G-Range	MWP ³	facing	dD
½" schedule 40-80	G1-5 ¹	1100 bar	seal ring	32mm
2" schedule XXS	G2-14	586 bar	seal ring	32mm
2 ½" schedule 40-80	G3-25	486 bar	seal ring	44mm
4"	G4-27	708 bar	seal ring	57mm

1: G1-5 is executed with reducer; 2: other sizes possible; 3 :at -46 to 20°C based on PT table G-range Destec

WETTED PARTS, BODY MATERIALS, AND FACING OPTIONS

diaphragm material	body material
AISI 316(L)	AISI 316(L)
AISI 304(L)	
AISI 321	
Hastelloy C-276	
Monel 400	Monel 400
Hastelloy C-276	Hastelloy C-276
Duplex 2205	Super Duplex / Duplex

COATING AND OTHER OPTIONS

COATINGS

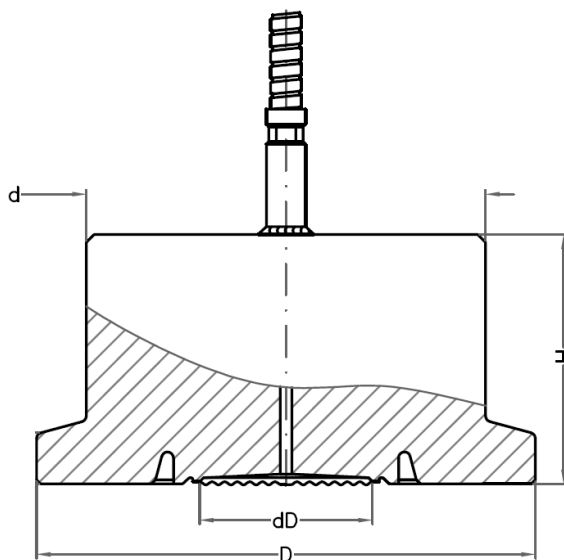
- gold: 25 µm / 40 µm chemical resistance and/or hydrogen permeation protection (facing and/or diaphragm – page 120)

OTHER OPTIONS

- heavy duty capillary tube
- TR - temperature reducer
- clamps and gaskets
- other brands

page 113/123
page 114

DRAWING AND DIMENSIONS STANDARD EXECUTIONS



DESTEC®

size	rating	facing	dD	d	D	H
G1-5¹	1100 bar	seal ring	32	47	51	44
G2-14	586 bar	seal ring	32	73	92	51
G3-25	486 bar	seal ring	44	102	127	64
G4-27	708 bar	seal ring	57	127	152	64

¹with reducing hub
All dimensions in mm



Holland – United Kingdom – Romania – India – Thailand – Dubai – USA

To our knowledge, the information contained herein is accurate as of the date of this document. However neither Badotherm, nor its affiliates makes any warranty, express or limited, or accepts any liability in connection with this information or its use. This information is for technical skilled persons at their own discretion and risk and does not relate to the use of this product in combination with any other product. The user alone finally determines suitability of any information or material in contemplated use, the manner of use and whether any patents are infringed. This information gives typical properties only.

Badotherm reserves the right to make changes to the specifications and materials without prior notice. The latest version of the datasheet can be found on www.badotherm.com.

© 2001 Badotherm, all rights reserved. Trademarks and/or other products referenced herein are either trademarks or registered trademarks of Badotherm.