

Accessories – BDT45 pressure snubber

Description

The BDT45 is an adjustable pulsation protection accessory against sudden pressure pulsations and surges. It is adjustable by means of a throttle screw. The screw closes or opens the open flow in the device so that the fluctuations are dampened. Adjustment of the setting is possible during operation. This enables sensing instruments to provide consistent readings, while extending product service life. The pulsation dampener is often supplied assembled to the pressure gauge. It is not to be used in combination with diaphragm seal.

Material of construction

The BDT45 is standard manufactured from AISI 316(L) material. Optionally, it can be manufactured with exotic material wetted parts such as Alloy 400, Alloy 276 or Duplex. The throttle screw and body are considered wetted-part and made in the equal material. The bonnet screw is a non-wetted part and therefore made in stainless steel. The O-ring mounted to the piston is NBR material.

	AISI316(L)	Exotic material
Body	AISI 316	Exotic
Throttle screw		
Bonnet screw	AISI 316	
Screw gaskets	NBR	

Pressure & Temperature specification

The BDT45 has following pressure and temperature limits.

	Max. Operating Pressure	Max. Operating Temperature
BDT45	400 bar	-10°C...120°C

Instrument & Pressure Connections

The BDT45 is available with ½" NPT or G ½ connections both instrument connection as well as process connection.

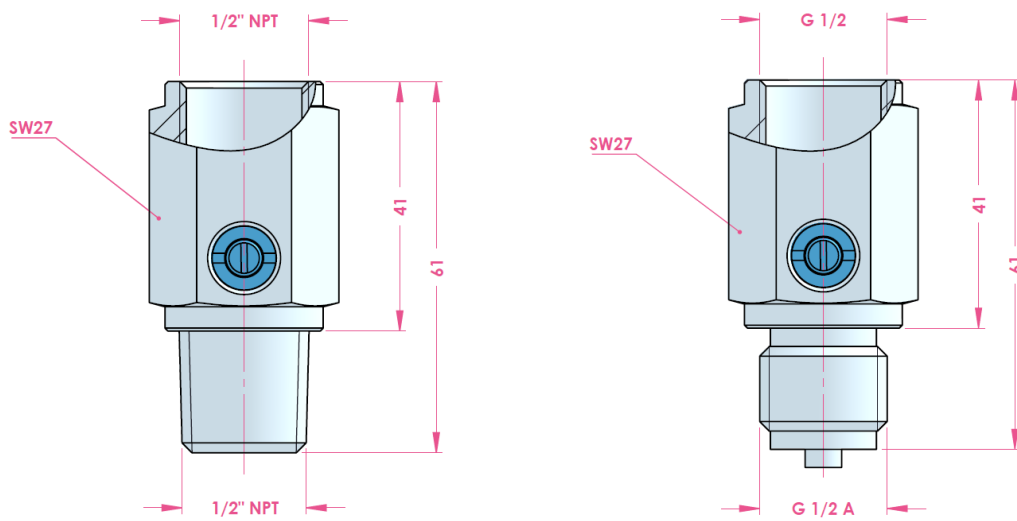


Marking

The BDT45 is marked with relevant information such as the flow direction, the heat number, and material of construction.

Special service

The BDT45 snubber is standard lubricated with silicone grease on the O-ring. For special service this lubrication can be done with Krytox® grease and will be tested, labelled and packed in a controlled environment to prevent contamination with oil and grease.

Dimensions: BDT45

Holland – United Kingdom – Romania – India – Thailand – Dubai – USA

To our knowledge, the information contained herein is accurate as of the date of this document. However neither Badotherm, nor its affiliates makes any warranty, express or limited, or accepts any liability in connection with this information or its use. This information is for technical skilled persons at their own discretion and risk and does not relate to the use of this product in combination with any other product. The user alone finally determines suitability of any information or material in contemplated use, the manner of use and whether any patents are infringed. This information gives typical properties only. Badotherm reserves the right to make changes to the specifications any materials without prior notice. The latest version of the datasheet can be found on www.badotherm.com.

© 2015 Badotherm, all rights reserved. Trademarks and/or other products referenced herein are either trademarks or registered trademarks of Badotherm.