

Accessories – BDT40 mounting bracket with BDT41 adapter nipple

Description

The BDT40 is a mounting bracket designed to mount pressure gauges to the wall or on a 2" pipe. Together with the BDT41 adaptor nipple the set can be mounted in the location that is required. The design is clamp that can be opened fully for easy mounting after the tubing or diaphragm seal is mounted. The wall mounting design is based on the DIN 16281.

Material of construction

The BDT40 is standard manufactured from AISI 316(L) material. The mounting screws and pipe U-bolt are made of A4-70 material with A4 nuts. The BDT41 adapter nipple is made out of AISI 316(L) as well.

Marking

The BDT40 is marked with the manufacturers name and the BDT41 nipple is marked with relevant information such as the, the heat number, and material of construction.

Extension length

The extension length (L) is standard 100mm. Optional the distance can be set to different length such as 160mm.



Instrument & Pressure Connections

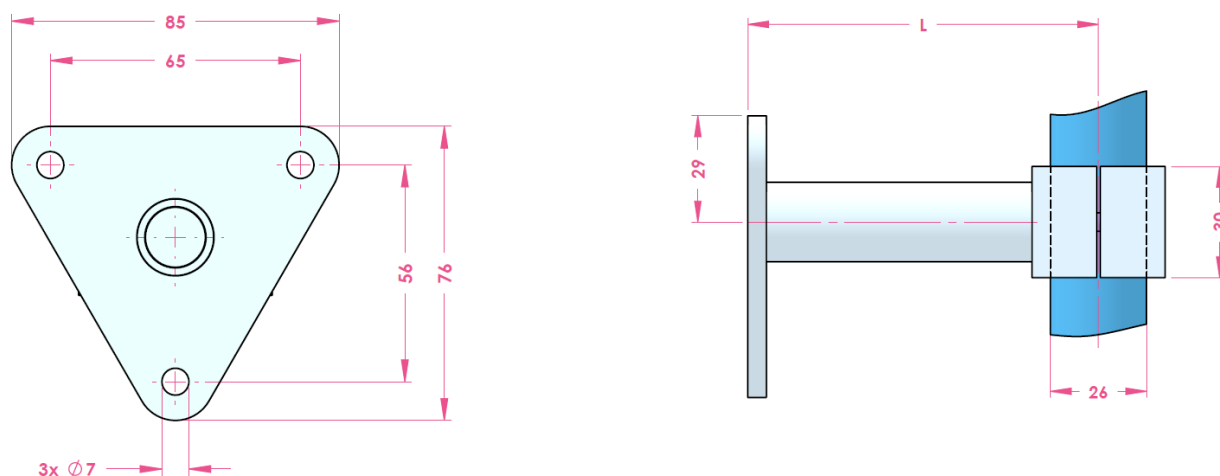
The BDT41 is available with 1/2" NPT or G 1/2 connections both instrument connection as well as process connection.

Instrument side	Process side
G 1/2	G 1/2 A
1/2" NPT-f,	1/2" NPT-m
G 1/2	1/2" NPT-m
G 1/2	capillary

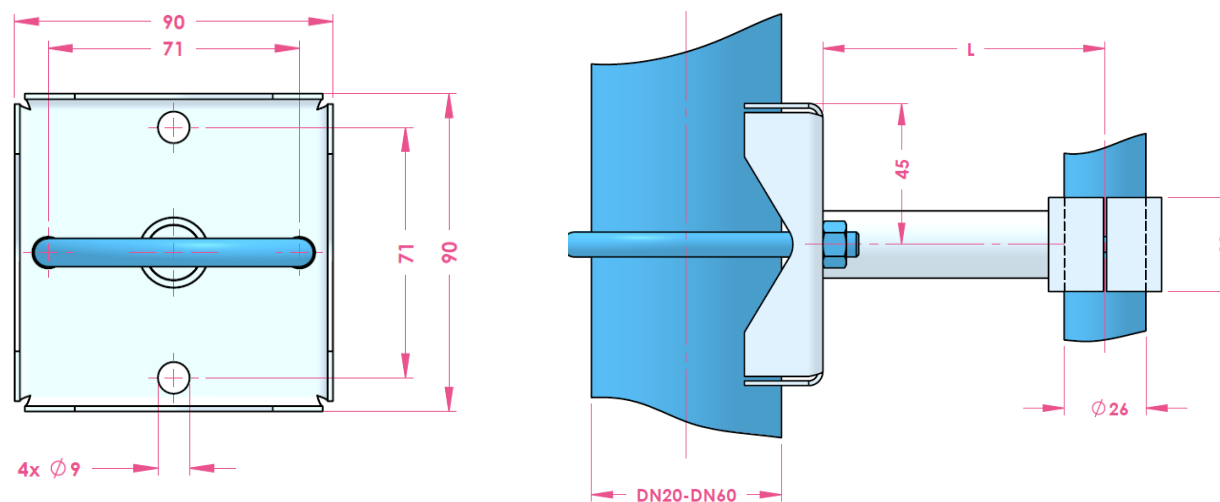
Other thread standards such as ISO 7-1 R (BSPT), or DIN 13-1 M20x1.5 can be selected as well

Dimensions: BDT40

Wall mounting bracket



2" pipe mounting bracket



Holland – Romania – India – Thailand – Dubai – USA

To our knowledge, the information contained herein is accurate as of the date of this document. However neither Badotherm, nor its affiliates makes any warranty, express or limited, or accepts any liability in connection with this information or its use. This information is for technical skilled persons at their own discretion and risk and does not relate to the use of this product in combination with any other product. The user alone finally determines suitability of any information or material in contemplated use, the manner of use and whether any patents are infringed. This information gives typical properties only. Badotherm reserves the right to make changes to the specifications any materials without prior notice. The latest version of the datasheet can be found on www.badotherm.com.

© 2015 Badotherm, all rights reserved. Trademarks and/or other products referenced herein are either trademarks or registered trademarks of Badotherm.