

Badotherm’s pressure gauge model BDT1-218 is manufactured according to the EN837-1 and is available in full stainless steel. This pressure gauge is typically used for applications in the chemical, petro-chemical, oil & gas, power and utilities, machine building and general process industries. Pressure elements is a screwed type connection construction of the 40mm. These gauges are designed to withstand the severest of operating conditions of the ambient environment and the process medium.



DESIGN INFORMATION

DESIGN NORM	INGRESS PROTECTION
EN 837-1	IP 44 per IEC 60529

STANDARD MODEL MATERIAL SPECIFICATIONS

PROCESS CONNECTION	TUBE	CASE	BEZEL
AISI 316(L)	AISI 316	AISI 304, push-on	AISI 304, push-on
MOVEMENT	WINDOW	POINTER	DIAL
stainless steel	glass	aluminium, black	aluminium, white with black markings

TECHNICAL SPECIFICATIONS

	40 mm
Connection	1/8" BSP/NPT
Minimum range	-1 bar
Maximum range	400 bar
Accuracy	1.6% FSV
Pointer	fixed
Mounting variations	A / D
Free zero	stop pin
Internal limit stop	-
Connection construction	screwed
Window gasket	pressboard
PED (CE marking >200 bar)	•

SPECIAL EXECUTIONS

BDT1-208	movement brass
----------	----------------

OPTIONS

PROCESS CONNECTION	1/4" BSP/NPT with reducer nipple
RESTRICTOR SCREW	AISI 316(L)

PRESSURE DETAILS

WORKING PRESSURE

	40 mm
steady	0.75 x full scale value
fluctuating	0.67 x full scale value
short time	full scale value

TEMPERATURE DETAILS

CASE FILLING FLUID			WINDOW		
	ambient	process		ambient	
-	without	-40°C to 90°C	200°C	glass	<400°C

TEMPERATURE EFFECT

The variation of indication caused by the effect of temperature shall not exceed:  
 $\pm 0.04 \times (\text{ambient temperature} - \text{reference temperature})\% \text{ of the span}$

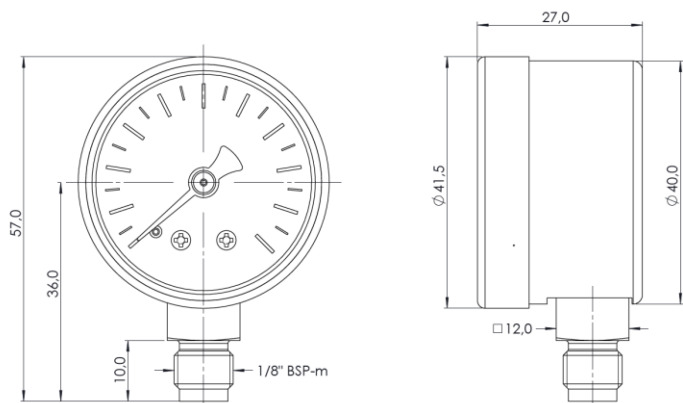
MOUNTING VARIATIONS

Type A bottom connection, direct mounting

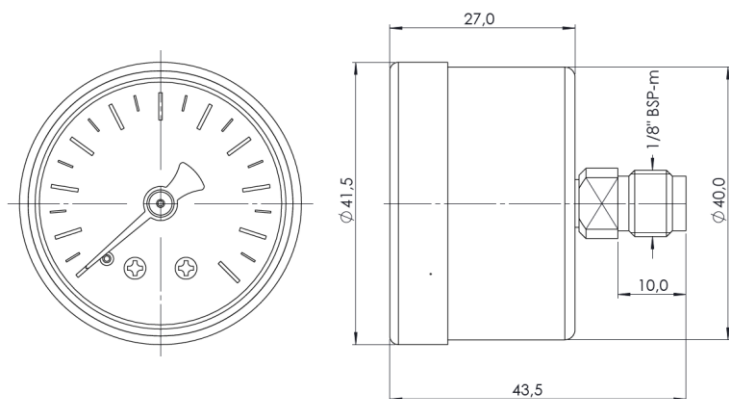
Type D back connection, direct mounting

DRAWINGS

BDT1-218 – MOUNTING VARIATION A



BDT1-218 – MOUNTING VARIATION D



All dimensions in mm



Holland – United Kingdom – Romania – India – Thailand – Dubai – USA

To our knowledge, the information contained herein is accurate as of the date of this document. However neither Badotherm, nor its affiliates makes any warranty, express or limited, or accepts any liability in connection with this information or its use. This information is for technical skilled persons at their own discretion and risk and does not relate to the use of this product in combination with any other product. The user alone finally determines suitability of any information or material in contemplated use, the manner of use and whether any patents are infringed. This information gives typical properties only.

Badotherm reserves the right to make changes to the specifications and materials without prior notice. The latest version of the datasheet can be found on [www.badotherm.com](http://www.badotherm.com).

© 2001 Badotherm, all rights reserved. Trademarks and/or other products referenced herein are either trademarks or registered trademarks of Badotherm.